

SuperK EVO

Supercontinuum fiber laser

- Cost-efficient high power Supercontinuum fiber laser
- 20 MHz and NIM trigger output for lifetime applications
- Simple and intuitive user interface through NKT Photonics CONTROL
- Plug'n'Play with all SuperK accessories



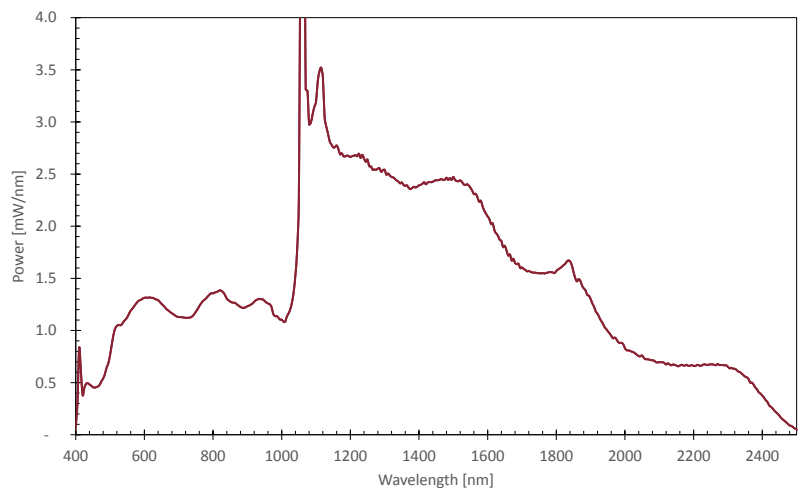
The SuperK EVO is NKT Photonics' new cost efficient supercontinuum fiber laser range. The lasers are based on NKT Photonics' reliable supercontinuum technology and are designed for easy control and maintenance-free operation in a compact form factor.

The first laser in the EVO series is the EU-4 delivering more than 3 W total power in the 400-2400 nm range, and 450 mW in the visible part of the spectrum. With NIM trigger and a repetition rate of 20 MHz, the EU-4 is especially suited for lifetime applications such as FLIM.

The system is air-cooled with a small footprint, and the all-fiber architecture ensure robust operation and a maintenance-free lifetime of thousands of hours backed by our 2 year warranty.

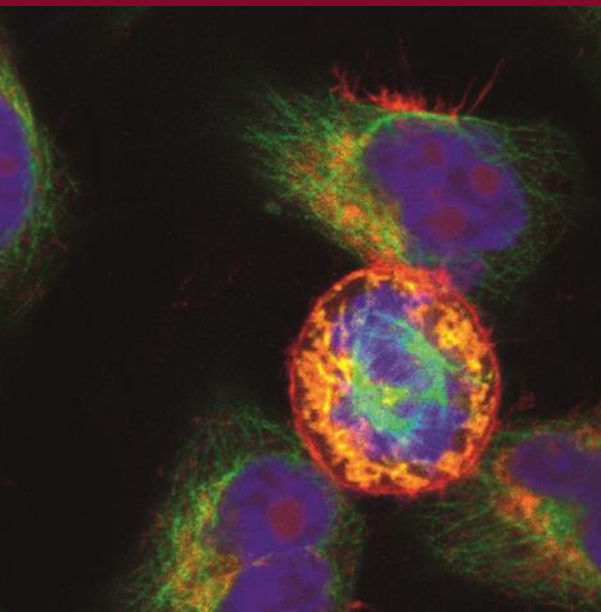
The SuperK EVO is compatible with all existing SuperK filters and accessories, and is easily operated through our NKT Photonics CONTROL software or directly via the free software development kit.

Typical output spectrum



Applications

- Microscopy
- Fluorescence lifetime imaging
- Spectroscopy
- Component and material characterization



Specifications

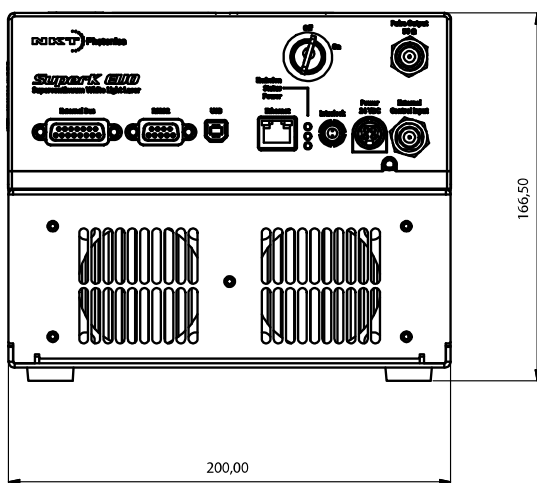
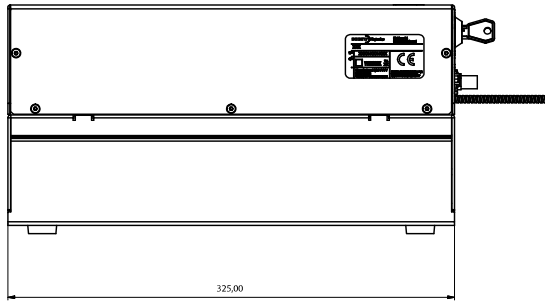
Optical

Repetition rate	20 MHz
Spectral coverage	410 - 2400 nm
Total power	> 3W
Total VIS power (350-850 nm)	> 450 mW
Total power stability	± 1.0 %
Polarization	Unpolarized
Beam output	Gaussian, single mode
Typical M ² (>430 nm)	< 1.1
Optical output	Collimated
Length of output fiber	1.5 m
Beam diameter	~1 mm at 633 nm ~2 mm at 1060 nm
Beam divergence (over 400-1100 nm)	< 3 mrad

Mechanical/Electrical

Computer interface	USB 2.0/RS-232/Ethernet
Sync (trigger) output	NIM
Operation voltage	24 V DC
Power consumption	< 90 W
Door interlock connector ¹	2-pin LEMO
External bus interface	15 D-Sub LEMO
System cooling	Air Cooled
Operation temperature	+18° to +30°C
Storage temperature	-10° to +60°C
Dimensions (WxHxL)	200x166,5x325 mm
Weight	12 kg

1) The SuperK EVO is a Class 4 laser and is required to be connected to a door interlock/circuit



AInnoTech (주)에이이노텍
www.AINNOTECH.com
 Email: korea@ainnotech.com
FiberAll www.FIBERALL.co.kr
 광통신 전문 쇼핑몰! 파이이버올!
 TEL: 02,409,3222 FAX: 02,409,3229
 서울시 송파구 가락동 10-9 현성 B/D 2F

NKT Photonics A/S (Headquarters)
 Blokken 84, 3460 Birkerød, Denmark
 Phone: +45 4348 3900
 Fax: +45 4348 3901

NKT Photonics GmbH
 Schanzenstrasse 39, Bldg D9-D13
 51063 Cologne, Germany
 Phone: +49 221 99511-0
 Fax: +49 221 99511-650

NKT Photonics Inc.
 3514 N Vancouver Avenue, Suite 310
 Portland, OR 97227 • USA
 Phone: +1 (503) 444-8404
 Fax: +1 (503) 914-1664

The SuperK EVO is produced under our UK quality management system certified in accordance with the ISO 9001:2008 standard.

