



## Specifications

### Optical

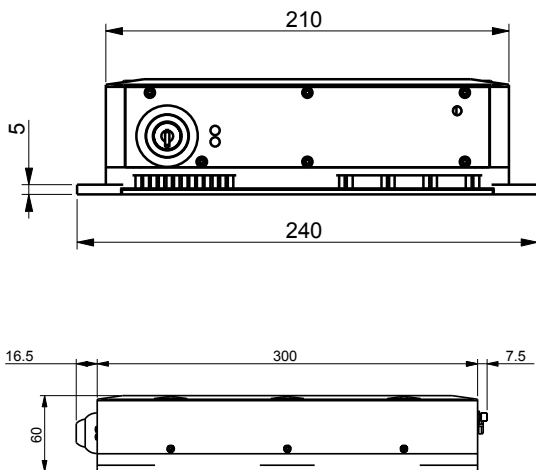
Repetition Rate	30 MHz +/- 3 MHz
Total power stability	+/- 1.0%
Wavelength range	400 - 2000 nm
Total Power	200 mW
Visible power (400-850 nm)	25 mW
Polarization	Unpolarized
Beam output	Gaussian, single mode
Typical $M^2$ (>430 nm)	<1.1
Output options	Collimated/other outputs upon request
Length of output fiber	1.5 m
Beam diameter	~1 mm at 630 nm ~2 mm at 1060 nm
Beam Divergence (Over 400-1000 nm)	<3 mrad
Typical single mode fiber coupling efficiency	~65%

### Mechanical/Electrical

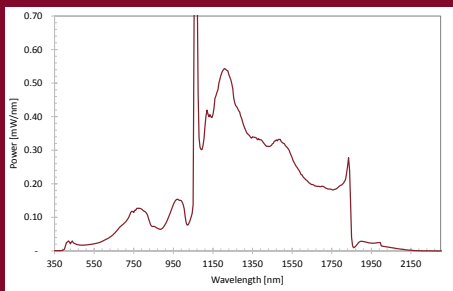
Computer Interface	USB or RS232
Power Requirements	100-240 V, 50/60 Hz
Door interlock	2-way LEMO
Sync (trigger) Output	Photodiode oscillator monitor (SMA)
System Cooling	Integrated Air Cooling
Dimensions (WxLxH mm)	210 x 300 x 60
Weight	<6 kg

### Operating Conditions

Operating Temperature	+18°C to 30°C
Storage Temperature	-10°C to 60°C
Relative Humidity	< 80%



### Typical output spectrum



**NKT Photonics A/S (Headquarters)**  
 Blokken 84, 3460 Birkerød, Denmark  
 Phone: +45 4348 3900  
 Fax: +45 4348 3901

**NKT Photonics GmbH**  
 Schanzenstrasse 39, Bldg D9-D13  
 51063 Cologne, Germany  
 Phone: +49 221 99511-0  
 Fax: +49 221 99511-650

**NKT Photonics Inc.**  
 3514 N Vancouver Avenue, Suite 310  
 Portland, OR 97227 • USA  
 Phone: +1 (503) 444-8404  
 Fax: +1 (503) 914-1664

All Fianium-branded products are produced under the UK quality management system certified in accordance with the ISO 9001:2008 standard.

